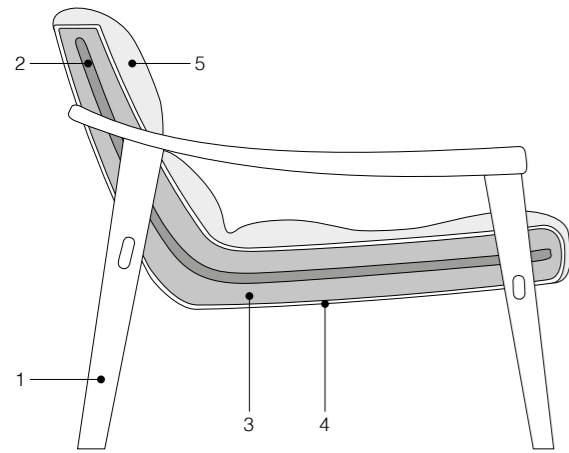
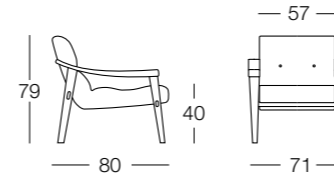


greta
design C. Bimbi

GRETA design C. Bimbi



Poltrona. Armchair



LEGENDA

- 1- Massello di frassino
- 2- Metallo cinghiato
- 3- Poliuretano espanso T 50
- 4- Tomaia 200 gr.
- 5- Poliuretano espanso PF 25 SM

LEGEND

- 1- Solid ash
- 2- Strapped metal
- 3- Polyurethane foam T 50
- 4- Upper 200 gr.
- 5- Polyurethane foam PF 25 SM

LEGENDE

- 1- Frêne massif
- 2- Métal cerclé
- 3- Polyuréthane expansé T 50
- 4- Supérieur 200 gr.
- 5- Polyuréthane expansé PF 25 SM

ERLÄUTERUNGEN

- 1- Feste Asche
- 2- Metall umschnallt
- 3- Schaum-Polyurethan T 50
- 4- Obermaterial 200 gr.
- 5- Schaum-Polyurethan PF 25 SM

Struttura interna in metallo con cinghie elastiche, imbottita a quote differenziate, struttura esterna in massello di frassino. Finiture seppia, ruggine o noce. Svestibilità totale.

Internal frame in metal with elastic straps, padded in multi-density, external frame in solid ash. Finishes: sepia, rust or walnut ash. Fully removable covers.

Struttura interna:
in metallo con cinghie elastiche.
Struttura esterna:
in massello di frassino.
Finiture:
seppia, ruggine o noce.
Rivestimento:
tessuto o pelle.
Svestibilità:
totale.

Internal frame:
in metal with elastic straps.
External frame:
in solid ash.
Finishes:
sepia, rust or walnut ash.
Cover:
in fabric or leather.
Fully removable

Structure interne:
en métal avec sangles élastiques.
Pieds:
en frêne massif.
Finitions:
seiche, rouille ou noyer.
Revêtement:
tissu ou cuir.
Entièrement déhoussable.

Interne Struktur:
Der Metall mit Elastischen Bändern.
Füßchen:
aus massiver Esche.
Verarbeitungen:
Sepia, Rost oder Nussbaum.
Bezug:
Aus Stoff oder Leder.
Vollständig abziehbar.